

**Actual Size:** 28" W x 48" L x 36.5" H

71.12cm W x 121.92cm L x 92.71cm H

**Seat Width:** 20 inches 50.8cm

**Seat Length:** 13 inches 33.02cm

**Shipping Size:** 32x54x49

**Shipping Weight:** 310 lbs.

**Net Weight:** 210 lbs.

**Water Capacity:** 65 gal.

**Occupied:** 30-50 gal.



## Product Features

### Jetting System

1. Hydro Massage System

- Hydro Massage Pump 8.1AMP 900W
- Hydro massage intensity dial air control
- In-line water heater 6AMP 650W
- 16 jets
- Push control

### Faucet

2-Piece Fast Fill Faucet Set

- Up to 18 GPM @ 60 PSI at ideal in home plumbing conditions
- Two (2) 5' Supply lines with 3/4" connectors
- Pull out, hand held, chrome plated hand shower with 5 ft. retractable stainless steel braided hose

### Included Features

1. Acrylic Tub Shell:

- Gloss White Finish
- Fiberglass Gelcoat Reinforced

2. Stainless Steel Frame with Adjustable Leveling Legs
3. Inward swing acrylic S-shape door
4. (1) Removable Velcro Access Apron
5. (1) Extension panel, filler for 60" alcove installations

### Optional Features

Heated Seat and Backrest 4 AMP

### Electrical Requirements:

One (1) dedicated 110/120V 60HZ electrical line with a 15AMP GFCI standard three prong outlet is required

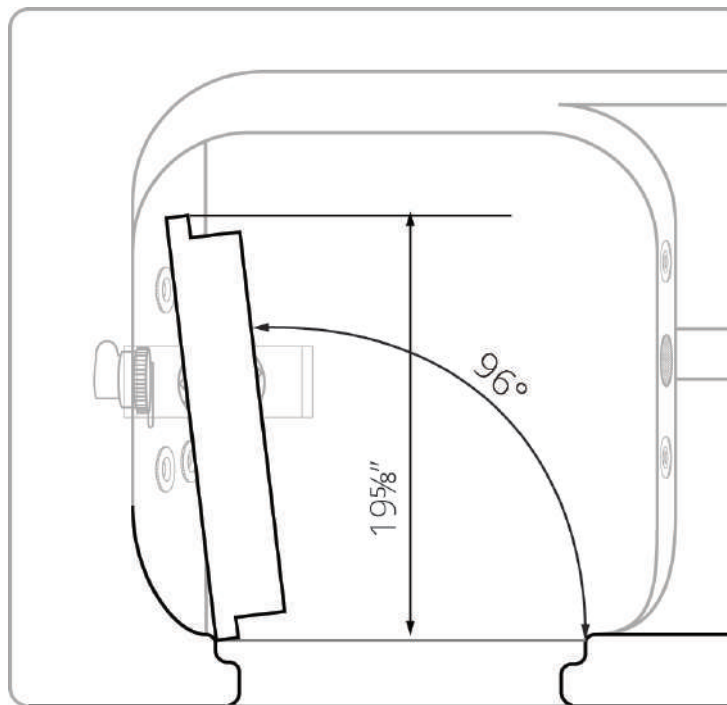
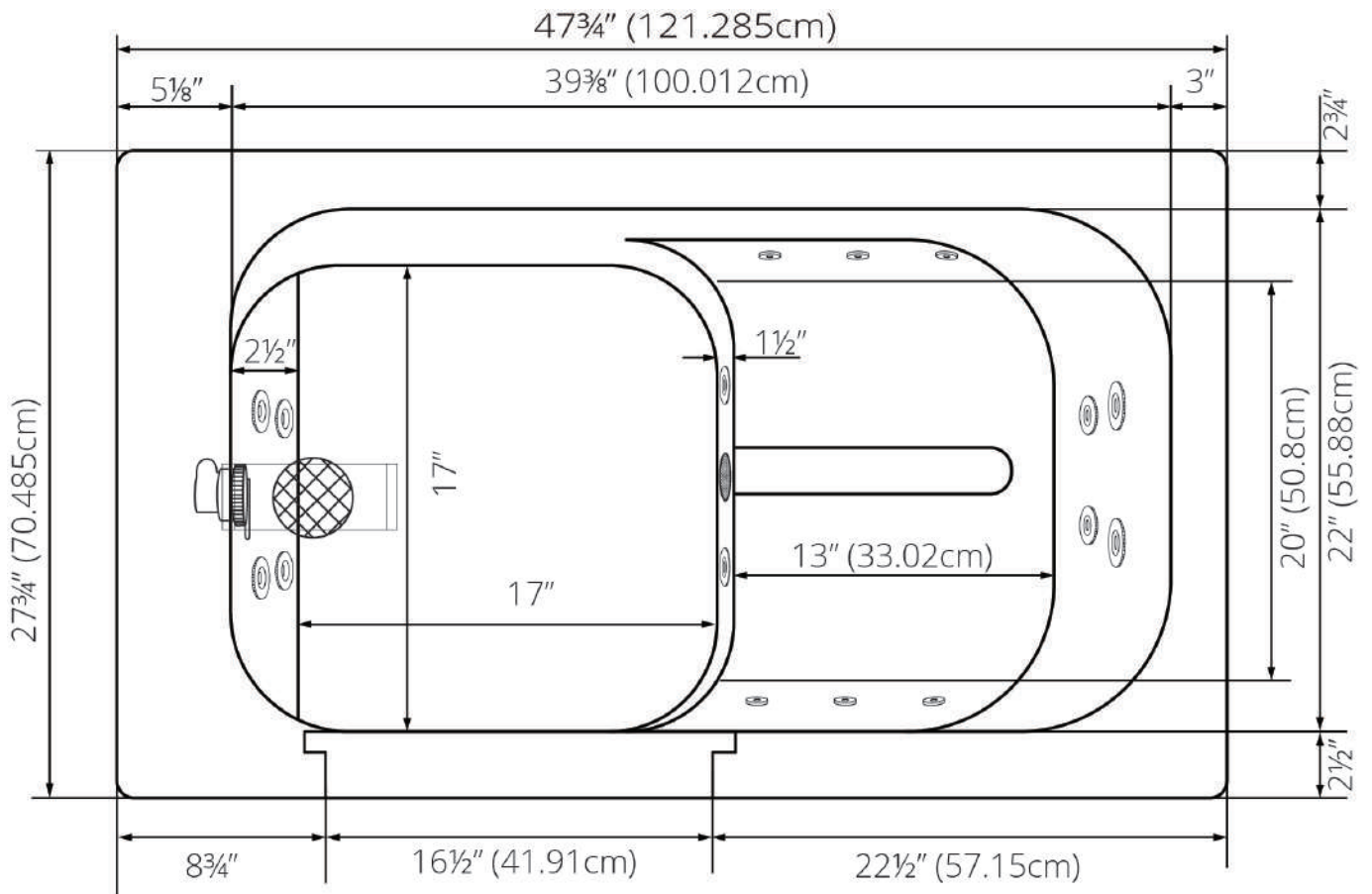
### Floor Drains

One (1) 2" PVC Drain and one

(1) overflow and emergency pull-up chain

### Warranty

- Lifetime limited\* warranty on shell, frame, door and parts to original purchaser
- Labor or installation is not covered – please refer to Ella warranty certificate
- Non-Ella brand faucets covered under manufacturers original warranty





Two 3/4" connector water supply lines included with Ella Fast Fill Faucets  
Connect to Shut Off Valves (not included)



All electrical fixtures connect to a dedicated GFCI protected outlet or GFCI protected Circuit Breaker.



Images below show examples of PVC pipe connections (not included). Reducers can be used to connect smaller drain pipes.

T-Type four (4) 2" drain ports allow for the drain pipe to be installed in either direction.

Drain Caps Installed On Either Side Of The Drain unused Port.

